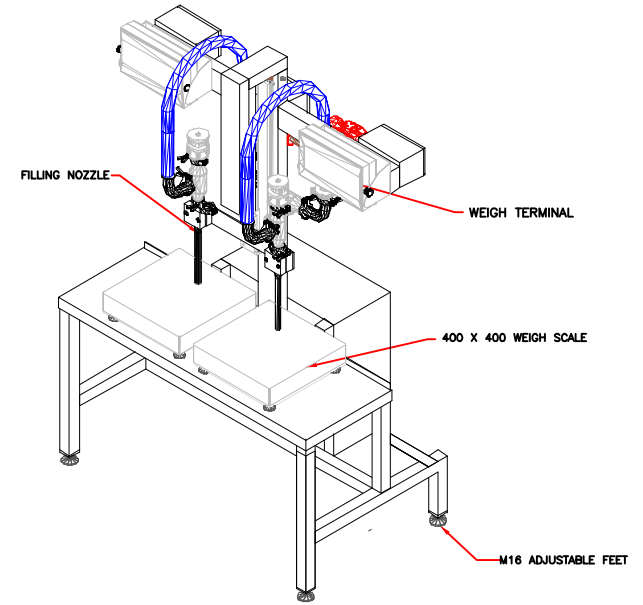
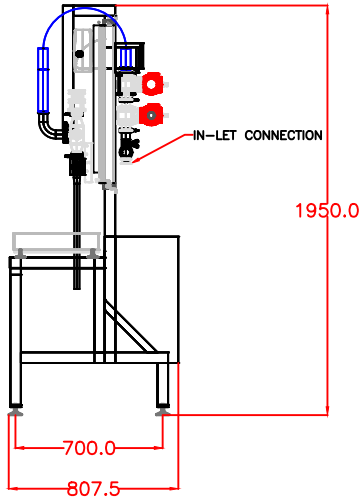
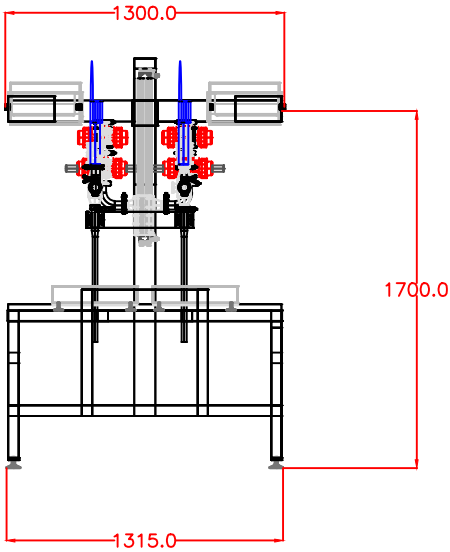
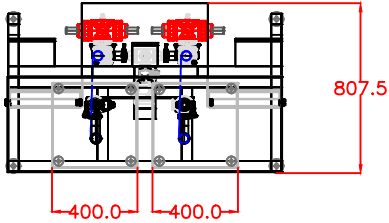


DRAWING No. FT-300



3D MODEL SHOWING FT-300

TITLE: TWIN SINGLE CONTAINER FILLER

CONTRACT No.

DRAWN BY: S.M.

DATE: 30/09/2020

CH'D BY: I.W.

DATE: 30/09/2020

SCALE: 1:10

SHT SIZE: DRAWING No.

A1

FT-300

REV.

A

THIS DRAWING IS THE PROPERTY OF FLOW - TRONIX LIMITED AND MUST NOT BE USED FOR ANY PURPOSE OTHER THAN THAT FOR WHICH IT IS SUPPLIED. ITS CONTENTS ARE SUPPLIED IN CONFIDENCE AND MUST NOT BE REPRODUCED WITHOUT WRITTEN PERMISSION.

PROJECTION DRG. PRACTICE TO BS.308 ALL DIMENSIONS IN MM



Unit 12  
Northern Court,  
Basford  
Nottingham, England  
NG6 0BU

Tel. +44 0115 9794886  
Fax. +44 0115 9794889

Liquid Filling Specialists

A FIRST ISSUE 30/09/2020 S.M. I.W.