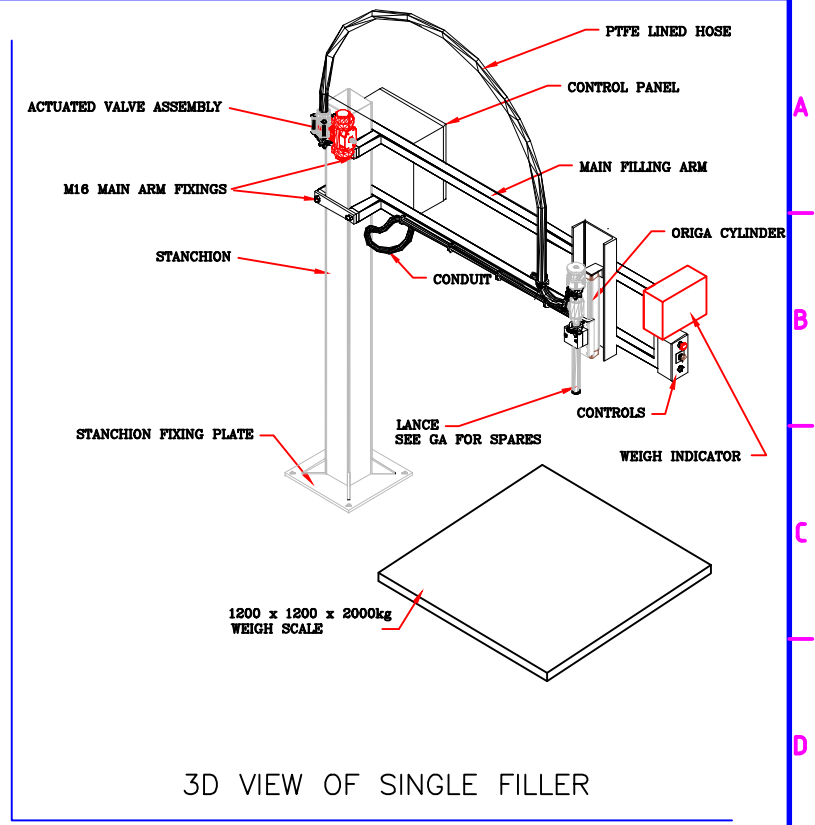
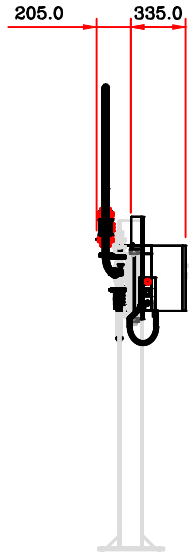
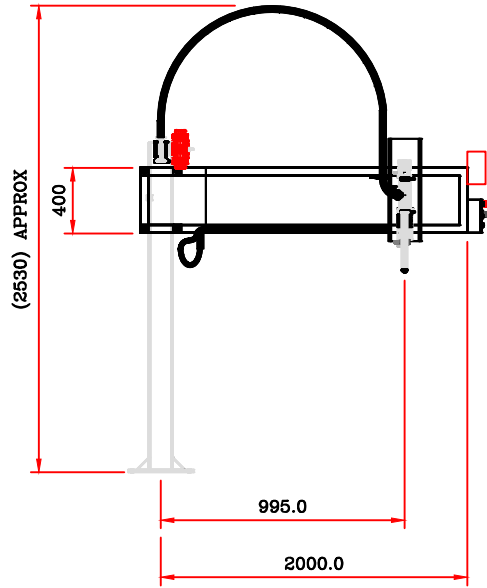
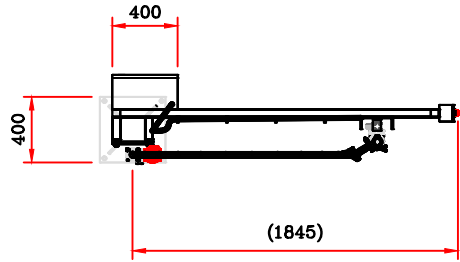


DRAWING No. FT-300



**TITLE:**  
 THIS DRAWING IS THE PROPERTY OF FLOW - TRONIX LIMITED AND MUST NOT BE USED FOR ANY PURPOSE OTHER THAN THAT FOR WHICH IT IS SUPPLIED. ITS CONTENTS ARE SUPPLIED IN CONFIDENCE AND MUST NOT BE REPRODUCED WITHOUT WRITTEN PERMISSION.

PROJECTION   
 DRG. PRACTICE TO BS.308  
 ALL DIMENSIONS IN MM

<b>IBC - SINGLE FILLER</b>	
<b>CONTRACT No.</b>	
<b>DRAWN BY:</b> S.M.	
<b>DATE:</b> 16/09/11	
<b>CH'D BY:</b> I.W.	
<b>DATE:</b> 16/09/11	
<b>SCALE:</b> N.T.S.	
<b>SHT SIZE</b> A1	<b>DRAWING No.</b> FT-300
<b>REV.</b> A	

Unit 12  
 Northern Court,  
 Bawford  
 Nottingham, England  
 NG6 0BJ

Tel: +44 0115 9794896  
 Fax: +44 0115 9794899

Liquid Filling Specialists

A FIRST ISSUE 16-09-11 S.M. I.W.

F L O W T R O N I X