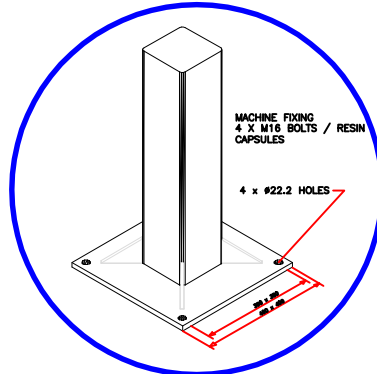
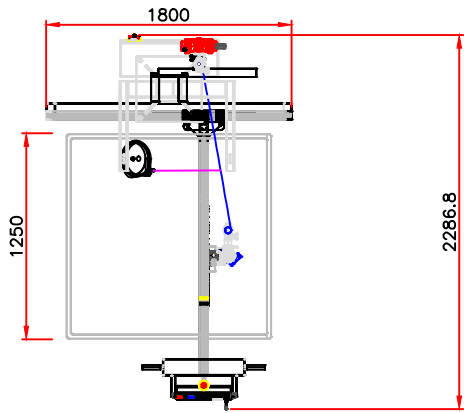


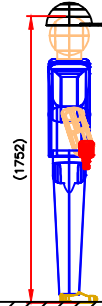
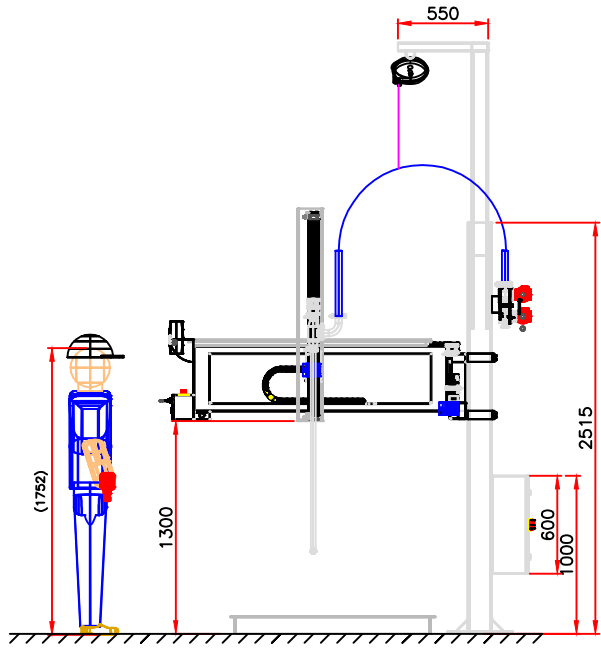
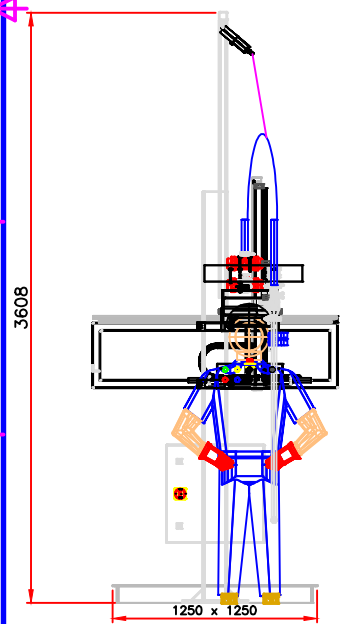
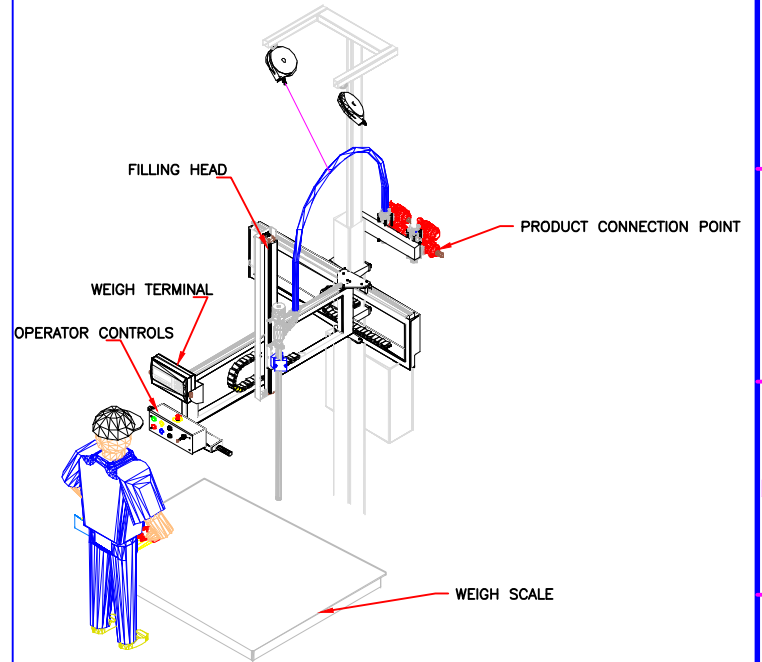
DRAWING No. FT-200



MACHINE FLOOR FIXING DETAIL

MACHINE FIXING
4 X M16 BOLTS / RESIN
CAPSULES

4 x Ø22.2 HOLES



(1752)

TITLE:
THIS DRAWING IS THE PROPERTY OF FLOW - TRONIX LIMITED AND MUST NOT BE USED FOR ANY PURPOSE OTHER THAN THAT FOR WHICH IT IS SUPPLIED. ITS CONTENTS ARE SUPPLIED IN CONFIDENCE AND MUST NOT BE REPRODUCED WITHOUT WRITTEN PERMISSION.

PROJECTION DRG. PRACTICE TO BS.308 ALL DIMENSIONS IN MM

FT-200 GA

CONTRACT No.

DRAWN BY: S.M.

DATE: 23/07/12

CH'D BY: I.W.

DATE: 24/07/12

SCALE: N.T.S.

SHT SIZE DRAWING No.

A1



Unit 12
Northern Court,
Boaford
Nottingham, England
NG5 0BU

Tel. +44 0115 9794886
Fax. +44 0115 9794889

REV.

A

F L O W T R O N I X

A FIRST ISSUE

24/07/12 S.M. I.W.